

*the HydroPro™ Plus*  
&  
*the HydroPro™*

Commercial Immersion Circulator

Instruction Book - CSV750/CSV700



**Breville®** | Commercial



## Contents

- 2 Important Safeguards
- 10 Controls & Components
- 11 Assembly
- 13 Functions
- 13 Turning the Unit On
- 13 Sous Vide Toolbox™
- 15 Manual Cooking
- 15 My Presets
- 16 Loss of Power
- 17 Cleaning & Storage
- 17 Routine Cleaning
- 17 Descaling the appliance
- 19 Troubleshooting

## BREVILLE | COMMERCIAL RECOMMENDS SAFETY FIRST

At Breville | Commercial we are very safety conscious. We design and manufacture commercial products with the safety of you, our valued customer, foremost in mind. In addition we ask that you exercise a degree of care and adhere to the following precautions.

## IMPORTANT SAFEGUARDS

### READ ALL INSTRUCTIONS BEFORE USE AND SAVE FOR FUTURE REFERENCE

When using electrical appliances, basic safety precautions should always be followed, including the following

- Carefully review the safety section in included literature.
- Do not operate this immersion circulator with a damaged power cord or plug, or if it has been dropped, damaged, or malfunctioned. Return the immersion circulator to Breville | Commercial for examination and/or repair.
- The immersion circulator is intended for use with **water only**.
- Do not let power cord touch hot surfaces or hang over the edge of table or counter.

- Unplug from electrical outlet when not in use.
- To avoid the possibility of personal injury, always unplug the immersion circulator from the electrical outlet before cleaning the unit.
- The immersion circulator is IPx7 rated so that it is protected against accidental temporary submersion in water. The immersion circulator is not intended to be used above the MAX water level. If the unit is temporarily submersed, disconnect the power and remove the unit from the water immediately, dry the unit thoroughly before using. If the unit has been submerged for an extended period, it should be inspected and electrically tested before using. Never place the power plug in the water.
- Secure the bags to the vessel using clips or weights.
- The intended cooking vessel used with conjunction with this product shall be a thermoplastic vessel with the maximum capacity of 45 L and the height no greater than 290 mm. Lid shall be used with the vessel.
- Alternatively, two immersion circulators can be used together in a thermoplastic container with a maximum capacity of 83 L. The height must not exceed 350 mm.
- Do not use an extension cord with this immersion circulator.
- This immersion circulator is intended for indoor use only.
- Do not let this immersion circulator come in direct contact with food. All food should be packaged in a chosen bag and/or container to ensure it is separated from the water.

- This appliance should not be used by children. To avoid accidental injury, close supervision is necessary when this appliance is used where children may be present.
- Do not operate in the presence of explosive and/or flammable fumes.
- Never operate the immersion circulator without the impeller and the foot secured in place
- Always turn the immersion circulator OFF, unplug the unit and wait for it to cool, before removing it from the liquid before making flow direction adjustments.
- Do not use this immersion circulator for other than the intended use of preparing foods.
- This appliance is not intended for use by persons (including children) with reduced physical, sensory or mental capabilities, or lack of experience and knowledge, unless they have been given supervision or instruction concerning use of the appliance by a person responsible for their safety.
- This appliance is intended to be used in commercial environments and similar applications such as:
  - Staff kitchen areas in shops, offices, and other working environments;
  - Farm houses;
  - By clients in hotels, motels and other residential type environments;
  - Bed and breakfast type environments
- The installation of a residual current device (safety switch) is recommended to provide additional safety protection when using electrical appliances. It is advisable that a safety switch with a rated residual operating current not exceeding 30mA be

installed in the electrical circuit supplying the appliance. See your electrician for professional advice.

- The appliance must be used on a properly grounded outlet. If you are not sure if the power outlets are properly grounded, please consult a qualified electrician.
- Do not, under any circumstances, modify the power plug or use an adapter.
- Read all instructions carefully.

### NOTE

This immersion circulator is equipped with a grounded power cord which must be plugged into a properly grounded power outlet. Do not use the appliance if the grounding prong on the plug is missing or damaged or with a grounding adapter. Contact a qualified

electrician if the plug does not fit into the electrical outlet you intend on using.

### IMPORTANT

Your immersion circulator is equipped with an automatic over-temperature safety that will disable the heater in the event of a heater fault or if it is run with insufficient cooking liquid for too long a time period. If this safety cannot be reset, the unit must be sent back to Breville | Commercial.

### IMPORTANT

Some countertop materials may not be able to withstand the prolonged exposure to heat required for sous vide cooking. To safeguard against damage to your countertop, Breville | Commercial recommends that you always place your cooking vessel on a trivet or other insulating material before you begin heating the cooking liquid.

## NOTICE TO CUSTOMERS REGARDING MEMORY STORAGE

- Please note that in order to better serve our customers, internal memory storage has been imbedded into your appliance.
- This memory storage consists of a small chip to collect certain information about your appliance including the frequency of use of the appliance and the manner in which your appliance is being used. In the event your appliance is returned for service, the information collected from the chip enables us to quickly and efficiently service your appliance. The information collected also serves as a valuable resource in developing future appliances to better serve the needs of our consumers.
- The chip does not collect any information regarding the individuals who use the

product or the household where the product is used.

- If you have any questions regarding the memory storage chip please contact us at [privacy@breville.com](mailto:privacy@breville.com).

### **FOOD SAFETY WARNING**

The food safety issues in cooking sous vide are different from more conventional forms of cooking. Do not start to cook before you fully understand the specified food handling practices to prevent, eliminate, or reduce the food biological, chemical, and physical hazards to a safe level. Cooking foods at low temperatures may not pasteurize and may pose a health risk to certain individuals such as pregnant women, young children, the elderly or those with compromised immune systems.

The Sous Vide Toolbox™ within the immersion circulator allows you to calculate and set the cooking time of various foods so that they can be cooked to pasteurization. For Safety please select the Food Authority suggested temperature setting when selecting temperature in the Sous Vide Toolbox™ which is the FDA and other regulatory approved temperature for the selected food.



### CAUTION

The user is cautioned that changes or modifications not expressly approved by the party responsible for compliance could void the user's authority to operate the equipment.

This device complies with Part 15 of the FCC Rules and Industry Canada licence-exempt RSS standard(s). Operation is subject to the following two conditions: (1) this

device may not cause harmful interference, and (2) this device must accept any interference received, including interference that may cause undesired operation.



### NOTE

This equipment has been tested and found to comply with the limits for a Class B digital device, pursuant to Part 15 of the FCC Rules. These limits are designed to provide reasonable protection against harmful interference in a residential installation. This equipment generates, uses and can radiate radio frequency energy and, if not installed and used in accordance with the instructions, may cause harmful interference to radio communications. However, there is no guarantee that interference will not occur in a particular installation. If this equipment does

cause harmful interference to radio or television reception, which can be determined by turning the equipment off and on, the user is encouraged to try to correct the interference by one or more of the following measures:

- Reorient or relocate the receiving antenna.
- Increase the separation between the equipment and receiver.
- Connect the equipment into an outlet on a circuit different from that to which the receiver is connected.

- Consult the dealer or an experienced radio/TV technician for help.

## **FCC & IC RADIATION EXPOSURE STATEMENT**

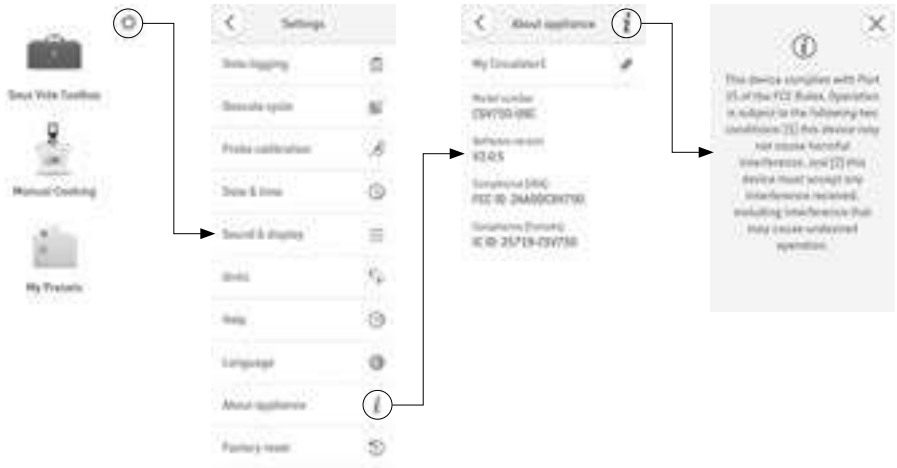
This equipment complies with FCC radiation exposure limits set forth for an uncontrolled environment.

This transmitter must not be co-located or operating in conjunction with any other antenna or transmitter.

FCC Information is found within Settings:

- Click on Settings icon
- Select “About Appliance”
- Click on Info icon

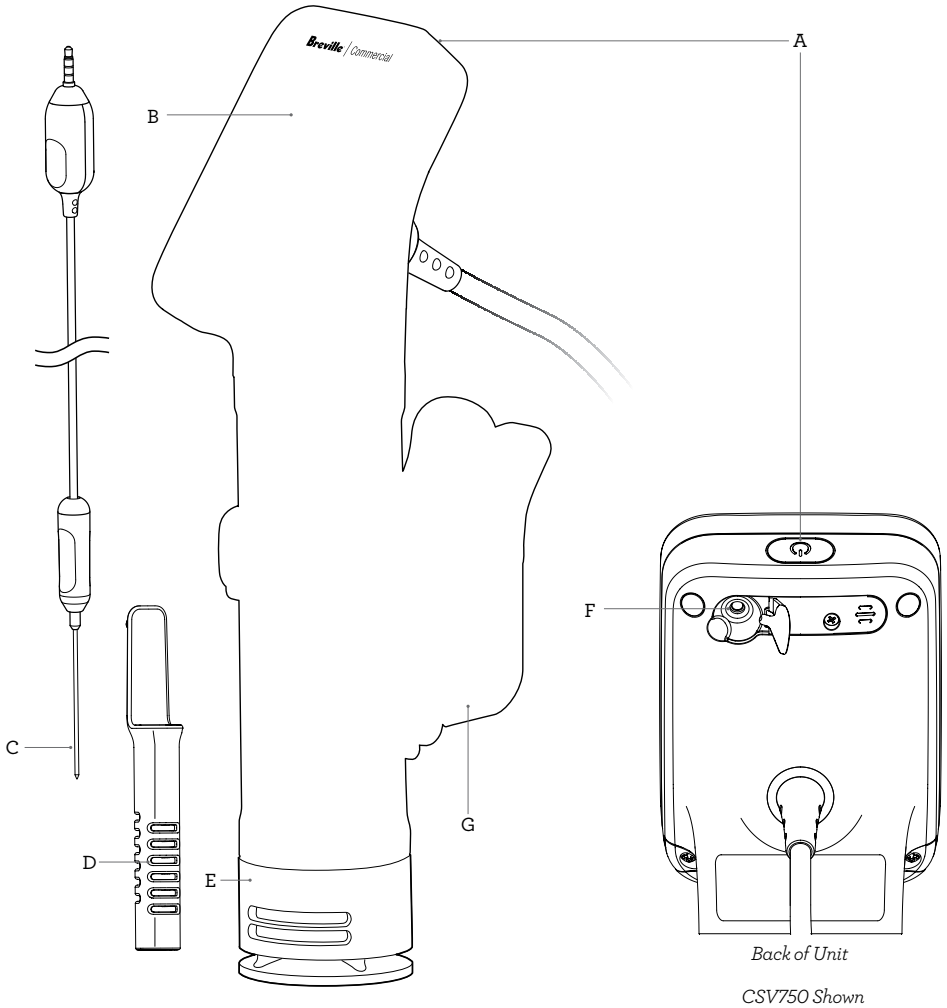
FCC Rules Information is displayed as below:



# SAVE THESE INSTRUCTIONS



## Controls & Components



- A. Power Button
- B. TFT Touchscreen

C. Probe  
For CSV750 model only.

D. Probe Holder

- E. Foot  
Remove to clean the impeller. Flow direction can be adjusted by rotating the foot .

F. Temperature Probe Connection  
For CSV750 model only.

G. Mounting Clamp



# Assembly

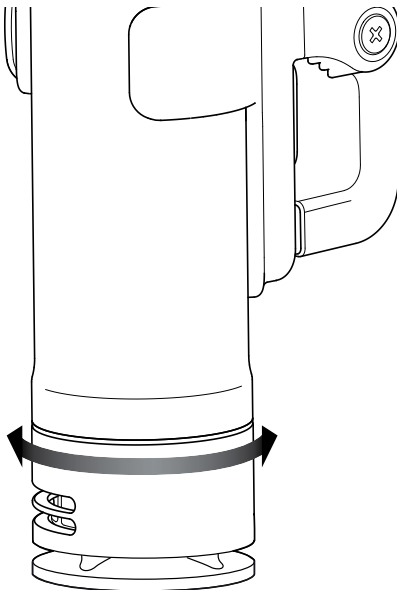
## APPROPRIATE COOKING VESSEL

An immersion circulator can be used with reservoirs of various capacities and shapes. These variables may adversely affect temperature accuracy and stability. For example, a reservoir with large surface area loses heat more quickly, which may prevent the immersion circulator from attaining the desired temperature. The maximum vessel size that the unit has been validated against is a 45L uninsulated vessel with a secure lid.

## BEFORE FIRST USE

Your immersion circulator is easy to set up:

1. Ensure the impeller and foot are in position.
2. Turn the foot on the bottom of the immersion circulator foot to the desired positions. The foot of the immersion circulator allows you to easily adjust the direction with which the cooking fluid circulates.



**WARNING:** To avoid the potential for burns and/or electrical shock, do not change the position of the foot while your immersion circulator is immersed in liquid. For safety, turn power to the unit OFF, unplug from the electrical outlet, remove the immersion circulator from reservoir, and allow the housing to cool to room temperature before making adjustments.

3. Fill the vessel with water.

This immersion circulator is capable of holding 45 litres of water at a stable temperature in an uninsulated, covered vessel.

The depth of the liquid in the cooking vessel should be kept somewhere between the “MAX” and “MIN” liquid level lines indicated on the unit housing.



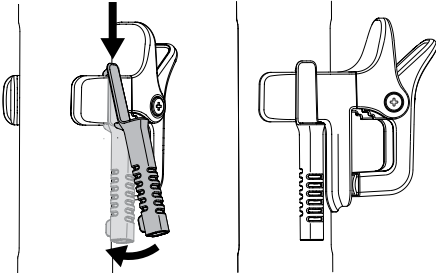
## IMPORTANT

- The water level in the cooking vessel will rise as food is added. Be sure to allow for this displacement when placing liquid in the vessel.
  - Please note that the water level might also drop while cooking due to evaporation.
4. Attach the immersion circulator to the cooking vessel. The mounting clamp provided with the unit will mount it securely to both flat and rounded vessel. The clamp can be used to rotate the unit so that the screen faces in the desired direction.



## NOTE

When using the probe holder, this can be attached directly onto the clamp by following the directions below (available for the CSV750 model only).



5. Plug the power cord into a properly grounded electrical outlet.

The TFT screen will light and the Welcome screen will come up.

The Welcome screen will enable you to configure your settings, as per:

- **Language**
- **Time** (available for CSV750 only)
- **Date** (available for CSV750 only)
- **Temperature Units**
- **Measurement Units**
- **Data Logging Set Up** - for HACCP Cooking log (setting available for the CSV750 model only).

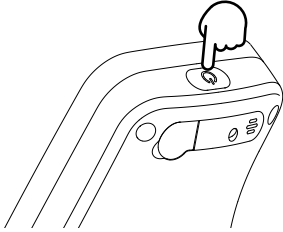
You are now ready to begin cooking with your immersion circulator!



# Functions

## TURNING THE UNIT ON

1. Press the Power on button (on top of the immersion circulator).



2. The immersion circulator gives you the possibility to choose between 4 menus.

- a) Sous Vide Toolbox™
- b) Manual Cooking
- c) My Presets
- d) Settings



## SOUS VIDE TOOLBOX™

The Sous Vide Toolbox™ mode will guide you to a successful food-safe sous vide cooking experience. It helps determine the optimal sous vide cooking and re-heating time for a variety of foods.

The thermal conductivity (heat transfer) characteristics of proteins are different for every type of food. The Sous Vide Toolbox™ uses the guided inputs to calculate the time it takes at a given temperature, thickness and shape for the item to reach a core temperature and additional time for different levels of pasteurization.

This takes the guesswork out of determining the optimum cooking time at a certain temperature. It also provides guidance as to the time required to reach the selected level of pathogen reduction, and whether your choice of temperature and time is considered safe.

Under this mode, you will be able to select:

1. **Food type:** Beef, Poultry, Pork, Lamb, Eggs, Fish, Shellfish, Foie Gras, Vegetable, Fruit, Custard, Legumes, Lentils and Yogurt.



2. **Cut Type:** Differentiates between 'Tender Cut' and 'Tough Cut' (depending of food type selected)
3. **Food Shape:** the selection is different depending on the type of food selected. For example, if beef is selected, the food shape will be: steak, medallion, rib rack with bones, short rib squares, cylinder, sphere, cube
4. **Thickness:** between a range of 3/16" to 3" (5mm to 127mm)
5. **Initial Temperature:** Fresh\* or Frozen
6. **Desired Final Core temperature** (temperature doneness varied depending on food type).
7. **Pasteurization Level:** Time to reach core temperature, additional time to pasteurize surface, additional time to pasteurize surface and core
8. **Additional tenderness time (only available for tough Cut Type):** The tenderness time corresponds to the additional time required for a tough cut (such as shank, shoulder, belly or brisket) to achieve a tender result. The time varies depending on the food type selected.

\* Fresh is food that is stored in a fridge environment at 41°F / 5°C.



The Summary screen will display the recommended temperature and time based on the parameters that have been entered.

### NOTE

A warning will indicate if the food item will not reach a recommended level of pasteurization in the time calculated.

The 'Fast Cook' option will allow you to reduce the cooking time by increasing the water bath by +4°F (+2°C).

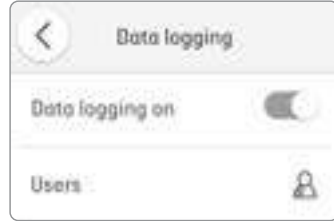
Where the food item is to be immediately cooled for storage upon completion of the cooking process, select the 'Ice Bath' option on the summary screen. The time required for the food item to return to 41°F (5°C) will be calculated and displayed once cooking has finished.

## DATA LOGGING

(setting available for the CSV750 model only)

The CSV750 creates a HACCP-ready cooking log using the temperature reading from the probe. The cooking logs can then be converted to a PDF that complies with HACCP requirements.

1. To enable data logging, toggle the 'Data logging on' button in the immersion circulator Settings.



2. Connect your probe and insert it correctly into the food bag using high-density foam tape. Please refer to the Help section for further information about probe use.
3. Start the cook you wish to log.
4. Press the Data Log button and fill out the information you wish to be associated with the cooking log.



- The appliance will now store a probe reading every 10 minutes.
- Once you are finished, press the Data Log button again and select 'Stop log'.
- To retrieve your cooking logs with your mobile, download the free 'Breville | Commercial HACCP Manager' App from Google Play or the Apple App Store.
- Fill in the information about your establishment and any other relevant details.
- Select the logs you wish to export and send them your email address.
- The Manual Cooking mode allows to adjust the desired flow rate, by selecting the flow rate icon on the top right corner. The flow rate can be selected between fast, medium or slow. For many scenarios, we recommend keeping the pump flow at the maximum speed. If you're cooking delicate foods like eggs which may be moving around, you may wish to turn the output down.

## 'BREVILLE | COMMERCIAL HACCP MANAGER' APP

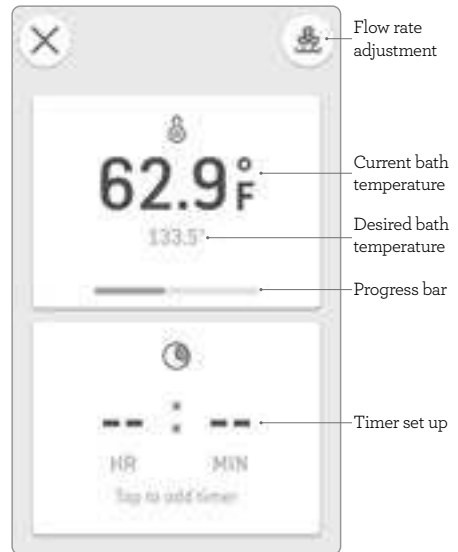
(setting available for the CSV750 model only)

Pair and sync all of your CSV750's data to your mobile and create HACCP-ready cooking logs with ease. Email the cooking logs straight to your health inspector or for your own records. Sort and filter the logs by appliance, establishment, date range or keyword. To retrieve your cooking logs with your mobile, download the free 'Breville | Commercial HACCP Manager' App from Google Play or the Apple App Store.

## MANUAL COOKING

The Manual Cooking mode enables you to configure the desired time, temperature and flow rate for the food item you are cooking. This mode also allows you to set probe alarms with holding timers.

- Select 'Manual Cooking' from the main menu
- Enter the desired bath temperature, to a maximum temperature of 194°F.
- When the desired temperature has been confirmed, the immersion circulator will start a priming cycle. The priming cycle is a 40sec program that removes air trapped in the heating cavity to ensure accurate temperature readings.
- By tapping on the timer area on the screen, you are able to enter either a desired cooking time to 99 hours which will count down to an alarm or start a count up timer. The immersion circulator allows to enter up to 3 different timers.

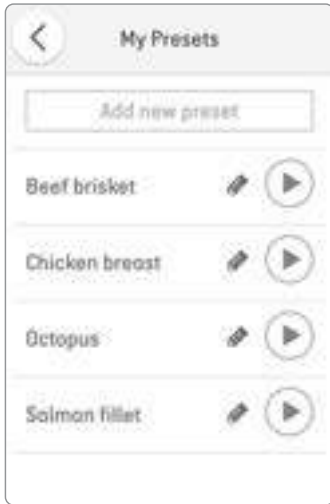


## MY PRESETS

'My Presets' mode allows you to save your regularly used temperatures and times on the appliance.

- Select 'My Presets' from the main menu
- Select 'New Preset'
- Enter the data into the different settings:
  - Preset Name**
  - Bath Temperature**
  - Timer**
  - Probe alarm** (setting available for the CSV750 model only)
  - Flow Speed**

4. Select 'Save' to save your desired preset. The saved preset will appear onto the 'My Presets' menu, where you will be able to use, edit or delete them.



## SETTINGS

The settings mode allows you to configure different parameters for the immersion circulator, as:

1. Data Logging (setting available for CSV750 model only): For more information about the Data Logging setting, refer to page 12.
2. Probe Calibration (setting available for CSV750 model only) The probe comes calibrated from factory, however to ensure that the probe's accuracy does not drift over time please calibrate yearly. The guided calibration cycle can take up to 30 minutes and will allow you to add a yearly reminder.
3. Date & Time configuration.
4. Sound & Display configuration.
5. Temperature & Measurement Units configuration.
6. Help section: the help section will give you more information about using the probe; cleaning the appliance and changing the flow direction.
7. Language configuration.
8. Factory reset.



## LOSS OF POWER

In the event that electrical power is disrupted during use, your immersion circulator will begin operating automatically when power is restored. The unit will display the time when power was lost, the amount of time there was no power and the temperature at which the unit resumed back to the set temperature (for the CSV700 model, the unit will only display the temperature). Use this information to determine if the item being cooked is safe, if you are uncertain at all we recommend that you discard the cooked food.



## Cleaning & Storage

Always clean and dry your immersion circulator completely before storing. Be sure to protect it from contact with equipment or other objects that could damage the digital display.

### ROUTINE CLEANING

Turn the immersion circulator OFF by pressing the Power Button and unplugging the unit from the electrical.

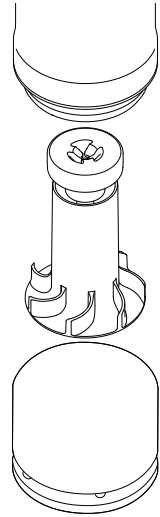


### WARNING

To avoid the potential for burns, allow the immersion circulator to cool to room temperature before removing it from the cooking vessel.

1. Disassemble the unit by pulling off the foot and removing the impeller from the appliance. The small plastic bush in the foot is non-removable. Removing or damaging this part will likely cause damage to the appliance.
2. Use soapy water to clean the parts. A brush can be used to gently clean inside the appliance. The housing with a clean damp cloth or sponge. Do not use abrasive cleansers as these could scratch the housing or the touchscreen.

3. Use a clean cloth to dry the appliance. To reassemble, place the foot on a firm surface and align the impeller to stand within the foot. Place the immersion circulator over the top of the impeller, sliding the leg down to meet the foot. Align and apply a firm downwards force until the foot 'clicks' into place.



Should the immersion circulator's immersed components become coated with grease or other residue due to a cooking pouch leak or break, run the unit in clean water containing a small amount of non-sudsing dishwasher detergent for about 10 minutes at 140°F / 60°C. Rinse carefully and dry thoroughly when done.



### WARNING

Never immerse the immersion circulator's controls or display in water or other liquids or place under running water. Do not clean the unit in a dishwasher, except for the impeller and the foot which are dishwasher safe.

## DESCALING THE APPLIANCE

To descale the appliance, prepare a cleaning solution by pouring equal amounts of water and vinegar into a bath.

Secure the appliance in the bath, and select the 'descale cycle' under the help section (into 'Settings' menu).



### WARNING

Do not descale with anything other than vinegar.

## REMOVING FOOD DEBRIS

Turn the immersion circulator OFF by pressing and unplug from the electrical outlet.



### WARNING

To avoid the potential for burns, allow the immersion circulator to cool to room temperature before removing it from the cooking vessel.

In the unlikely event that food or other debris becomes lodged in the pump impeller, remove the foot and impeller from the unit and wash carefully to remove any foreign objects.

Use a soft brush to remove any lodged particles. If necessary, soak in clean water to soften before brushing. DO NOT use hard utensils or abrasive pads to remove trapped food debris.



### WARNING

Never operate your immersion circulator without the foot in place.



# Troubleshooting

POSSIBLE PROBLEM	EASY SOLUTION
“Low Water Level” error screen appears	<ul style="list-style-type: none"><li>• Ensure the water level is above the MIN water line.</li></ul>
“No Water Detected” error screen appears	<ul style="list-style-type: none"><li>• Ensure the impeller and the foot has been inserted correctly and the water level is above the MIN water line.</li></ul>
“Tilt Alert” error screen appears	<ul style="list-style-type: none"><li>• Ensure the clamp has been installed correctly and the unit is mounted upright.</li></ul>
“Move Detected” error screen appears	<ul style="list-style-type: none"><li>• Ensure the unit has been fitted securely in the clamp and the clamp is installed against the vessel correctly.</li></ul>
“Impeller Overload” error screen appears	<ul style="list-style-type: none"><li>• Remove the foot and impeller, clearing out any foreign objects from the heating tube, impeller and foot. Inspect the foot and impeller for any damage or breakage.</li></ul>
“Unit unplugged mid-cook...” error screen appears	<ul style="list-style-type: none"><li>• The unit will return to the original temperature setting, consider if the cook that was underway is still safe for consumption.</li></ul>
“Fault detected” error screen appears <u>repeatedly</u>	<ul style="list-style-type: none"><li>• Return the unit to a service center or service agent for your region.</li></ul>
“High Temperature Detected” error screen appears	<ul style="list-style-type: none"><li>• Ensure the water flow from beneath the unit is unobstructed and the water level is above the MIN water line but below the MAX water line and any scale build up has been removed. <b>Never wrap over the touchscreen of the unit.</b></li></ul>
My unit is not heating	<ul style="list-style-type: none"><li>• The unit always runs a 40 second priming cycle before the heater is turned on, wait until the unit has finished its priming cycle before the heater turns on.</li></ul>
My unit does not get to temperature	<ul style="list-style-type: none"><li>• The unit has been tested to be able to heat a 45L vessel with a secure lid up to 90°C (194°F). If using aluminum foil or similar covering, ensure <b>to never wrap over the touchscreen of the unit.</b></li></ul>
The temperature on my unit is fluctuating rapidly	<ul style="list-style-type: none"><li>• Ensure the water flow from beneath the unit is unobstructed and the water level is above the MIN water line but below the MAX water line.</li></ul>
There is a whirring or strange noise coming from my unit	<ul style="list-style-type: none"><li>• Remove the foot and impeller, clearing out any foreign objects from the heating tube, impeller and foot. Inspect the foot for any damage. Inspect the impeller for damage or breakage.</li></ul>
My bags are sucked up by the water inlet	<ul style="list-style-type: none"><li>• Secure the bags to the vessel using clips or weights.</li></ul>

*the HydroPro™ Plus*  
&  
*the HydroPro™*

Circulateur à immersion commercial

Manuel d'instructions - CSV750/CSV700



**Breville** | Commercial



## Table des matières

- 2 Importantes mesures de sécurité
- 11 Commandes et composants
- 12 Assemblage
- 14 Fonctions
- 14 Allumer l'appareil
- 14 Boîte à outils sous vide (Sous Vide Toolbox™)
- 16 Cuisson manuelle
- 17 Mes préréglages
- 18 Panne de courant
- 18 Nettoyage et rangement
- 18 Nettoyage habituel
- 19 Détartrage de l'appareil
- 20 Guide de dépannage

## BREVILLE VOUS RECOMMANDE LA SÉCURITÉ AVANT TOUT

Chez Breville, la sécurité occupe une place de choix. Nous concevons et fabriquons des produits de consommation sans jamais perdre de vue la sécurité de notre précieuse clientèle. De plus, nous vous demandons d'être très vigilant lorsque vous utilisez un appareil électrique et de respecter les consignes de sécurité qui suivent.

## IMPORTANTES MESURES DE SÉCURITÉ

### LIRE TOUTES LES INSTRUCTIONS AVANT USAGE ET LES SAUVEGARDER À TITRE DE RÉFÉRENCE

Lors de l'utilisation d'appareils électriques, des mesures de sécurité élémentaires s'imposent, notamment :

- Lisez attentivement la section sur la sécurité dans la présente documentation.
- Ne faites pas fonctionner le circulateur à immersion si le cordon d'alimentation ou la fiche sont endommagés, ou si l'appareil a subi une chute, est endommagé ou présente des dysfonctionnements. Retournez l'appareil à Breville | Commercial pour le faire examiner ou réparer.

- Ce circulateur à immersion est conçu pour être utilisé **uniquement avec de l'eau**.
- Ne laissez pas le cordon d'alimentation toucher des surfaces chaudes ou pendre d'une table ou d'un comptoir.
- Débranchez l'appareil de la prise électrique lorsqu'il n'est pas utilisé.
- Pour éviter le risque de blessures, débranchez toujours le circulateur à immersion de la prise électrique avant de le nettoyer.
- Ce circulateur à immersion est classé IPx7, de sorte qu'il est protégé contre une immersion temporaire accidentelle dans l'eau. Le circulateur à immersion ne doit pas être utilisé au-dessus du niveau d'eau MAX. S'il est temporairement immergé, débranchez-le et retirez-le immédiatement de l'eau. Séchez-le soigneusement avant de l'utiliser. Si l'appareil a été immergé pendant une période prolongée, il convient de l'inspecter et de le tester électriquement avant de l'utiliser. Ne placez jamais la fiche d'alimentation dans l'eau.
- Fixez les sacs au récipient de cuisson à l'aide de clips ou de poids.
- Le récipient de cuisson prévu pour être utilisé avec cet appareil doit être en matière thermoplastique d'une capacité maximale de 45 L. La hauteur ne doit pas dépasser 290 mm. Le récipient doit être utilisé avec un couvercle.
- Alternativement, deux circulateurs à immersion peuvent être utilisés ensemble dans un récipient thermoplastique d'une capacité maximale de 83 L. La hauteur ne doit pas dépasser 350 mm.

- N'utilisez pas de rallonge avec ce circulateur à immersion.
- Ce circulateur à immersion est destiné à une utilisation intérieure uniquement.
- Ne laissez pas ce circulateur à immersion entrer en contact avec des aliments. Tous les aliments doivent être emballés dans un sac et/ou un récipient approprié pour s'assurer qu'ils n'entrent pas en contact avec l'eau.
- Cet appareil ne doit pas être utilisé par des enfants. Pour éviter toute blessure accidentelle, une surveillance étroite est requise lorsque cet appareil est utilisé à proximité d'enfants.
- N'utilisez pas l'appareil si des vapeurs explosives et/ou inflammables sont présentes.
- N'utilisez jamais l'appareil sans la roue à palettes et le pied bien en place.
- Avant de retirer le circulateur à immersion de l'eau, éteignez-le, débranchez-le et attendez qu'il refroidisse avant de procéder au réglage du sens du débit d'eau.
- N'utilisez pas ce circulateur à immersion pour un usage autre que celui prévu pour la préparation d'aliments.
- Cet appareil n'est pas destiné à être utilisé par des personnes (y compris des enfants) ayant des capacités physiques, sensorielles ou mentales réduites, ou manquant d'expérience et de connaissances, à moins d'avoir été supervisées ou initiées à l'usage de l'appareil par une personne responsable de leur sécurité.

- Cet appareil est destiné à être utilisé dans un environnement commercial ou pour des applications similaires telles que :
  - Cuisine du personnel de magasins, de bureaux et autres environnements de travail;
  - Maisons de ferme;
  - Clients d'hôtel, de motel et autres environnements de type résidentiel;
  - Environnements de type gîte.
- L'installation d'un dispositif à courant résiduel (interrupteur de sécurité) est recommandée pour fournir une protection supplémentaire lors de l'utilisation d'appareils électriques. Il est conseillé d'installer un interrupteur de sécurité avec courant résiduel nominal ne dépassant pas 30 mA sur le circuit électrique alimentant

l'appareil. Consultez votre électricien pour des conseils professionnels.

- L'appareil doit être branché dans une prise correctement reliée à la terre. Si un doute persiste quant à la mise à la terre adéquate des prises électriques, veuillez consulter un électricien qualifié.
- Ne modifiez en aucun cas la fiche d'alimentation et n'utilisez pas d'adaptateur.
- Lisez attentivement toutes les instructions.



#### NOTE

Ce circulateur à immersion est muni d'un cordon d'alimentation qui doit être branché dans une prise électrique correctement reliée à la terre. N'utilisez pas l'appareil si la broche de la fiche dédiée à la mise à la terre est manquante ou endommagée, et n'utilisez pas d'adaptateur de mise à la terre. Contactez un électricien qualifié si

la fiche ne s'insère pas correctement dans la prise électrique que vous souhaitez utiliser.

### **IMPORTANT**

Votre circulateur à immersion est muni d'un dispositif de sécurité automatique contre la surchauffe qui désactive le chauffage en cas de panne de l'appareil ou s'il fonctionne avec un volume insuffisant de liquide pendant une période prolongée. Si ce dispositif de sécurité ne peut être réinitialisé, l'appareil doit être retourné à Breville | Commercial.

### **IMPORTANT**

Certains comptoirs sont faits de matériaux ne pouvant supporter l'exposition prolongée à la chaleur requise pour la cuisson sous vide. Pour protéger votre comptoir contre tout dommage, Breville | Commercial vous recommande de toujours

placer le récipient de cuisson sur un sous-plat ou tout autre matériau isolant avant de faire chauffer le liquide de cuisson.

## **AVIS AUX CLIENTS CONCERNANT LE STOCKAGE DE LA MÉMOIRE**

- Veuillez noter qu'afin de mieux servir nos clients, une mémoire interne a été intégrée à votre appareil.
- Cette mémoire se compose d'une petite puce recueillant certaines informations sur votre appareil, dont sa fréquence d'utilisation et la façon dont il est utilisé. Dans l'éventualité où votre appareil serait renvoyé pour réparation, les renseignements recueillis à partir de la puce nous permettront de le réparer rapidement et efficacement. Les informations recueillies constituent également une ressource précieuse

pour le développement de futurs appareils électroménagers afin de mieux répondre aux besoins de nos clients.

- La puce ne recueille aucune information concernant les personnes qui utilisent le produit ou le foyer dans lequel il est utilisé.
- Si vous avez des questions sur la puce de stockage de mémoire, veuillez nous contacter à [privacy@breville.com](mailto:privacy@breville.com)

## AVERTISSEMENT SUR LA SÉCURITÉ ALIMENTAIRE

Les problèmes de sécurité alimentaire de la cuisson sous vide diffèrent des méthodes de cuisson conventionnelles. Afin de prévenir, éliminer ou réduire les dangers biologiques, chimiques ou physiques d'aliments qui ne sont pas à un niveau sécuritaire, ne commencez pas à cuisiner avant de bien

comprendre les pratiques spécifiées de manipulation des aliments.

La cuisson d'aliments à très basse température peut ne pas être pasteurisée et pose un risque pour la santé de certaines personnes, comme les femmes enceintes, les jeunes enfants, les personnes âgées ou les personnes dont le système immunitaire est compromis.

La boîte à outils Sous Vide Toolbox™ intégrée dans le circulateur à immersion vous permet de calculer et de régler le temps de cuisson d'aliments variés afin qu'ils puissent être cuits jusqu'à pasteurisation. Par mesure de sécurité, veuillez sélectionner la température approuvée par les autorités compétentes lorsque vous choisissez une température dans la boîte à outils Sous Vide, en l'occurrence la température suggérée par la FDA ou toute autre température

approuvée par la réglementation appropriée pour l'aliment sélectionné.

## ATTENTION

L'utilisateur est averti que les changements ou modifications non expressément approuvés par la partie responsable de la conformité pourraient annuler son droit d'utiliser l'appareil.

Cet appareil est conforme à la Partie 15 des réglementations de la FCC et aux normes radioélectriques (CNR) d'Industrie Canada applicables aux appareils exempts de licence.

L'utilisation est autorisée aux deux conditions suivantes : (1) l'appareil ne doit pas produire de brouillage, et (2) l'utilisateur de l'appareil doit accepter tout brouillage radioélectrique subi, même si le brouillage est susceptible d'en compromettre le

fonctionnement.

## NOTE

Cet équipement a été testé et jugé conforme aux limites d'un appareil numérique de classe B, conformément à la Partie 15 des réglementations FCC et aux normes radioélectriques (CNR) d'Industrie Canada. Ces limites sont conçues pour fournir une protection raisonnable contre les interférences nuisibles dans une installation résidentielle. Cet équipement génère, utilise et peut émettre de l'énergie de radiofréquence et, s'il n'est pas installé et utilisé conformément aux instructions, peut causer des interférences nuisibles aux communications radio. Toutefois, il n'est pas garanti qu'aucune interférence ne se produira dans une installation particulière. Si cet

équipement cause un brouillage nuisible à la réception de la radio ou de la télévision, ce qui peut être déterminé en allumant et en éteignant l'équipement, nous encourageons l'utilisateur à essayer de corriger l'interférence en appliquant une ou plusieurs des mesures suivantes :

- Réorienter ou déplacer l'antenne de réception.
- Augmenter l'espace entre l'équipement et le récepteur.
- Brancher l'équipement dans une prise de courant alimentée par un circuit différent de celui auquel le récepteur est connecté.
- Consulter le revendeur ou un technicien radio/télé expérimenté pour obtenir de l'aide.

## DÉCLARATION DE LA FCC & D'INDUSTRIE CANADA SUR L'EXPOSITION AUX RADIATIONS :

- Cet équipement est conforme aux limites d'exposition aux radiations définies par Industrie Canada et la FCC pour des environnements non contrôlés. Cet émetteur ne doit pas être installé au même endroit ni utilisé avec une autre antenne ou un autre émetteur.

L'information de la FCC se trouve dans les réglages :

- Cliquez sur l'icône «Settings»
- Sélectionnez «About Appliance»
- Cliquez sur l'icône «Info»

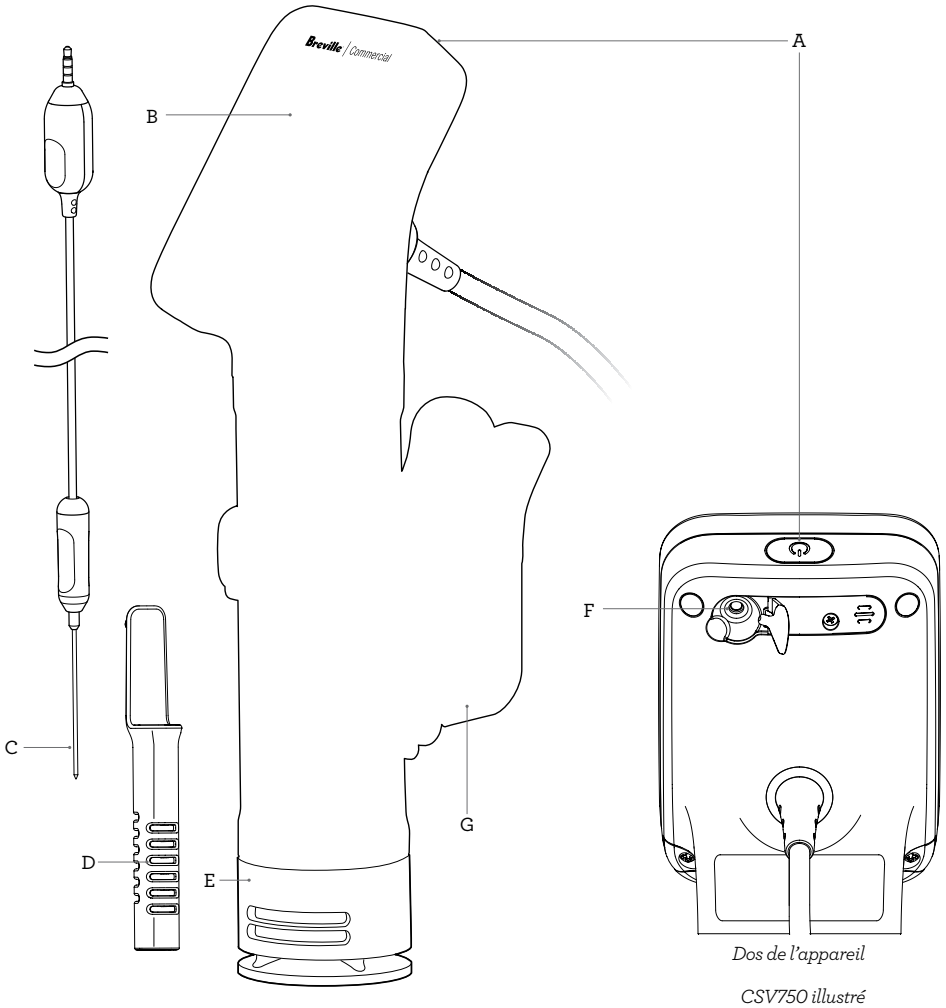
L'information sur les règles de la FCC s'affiche comme suit :



# SAUVEGARDEZ CES INSTRUCTIONS



## Commandes et composants



A. Bouton d'alimentation

B. Écran TFT

C. Sonde

Pour le modèle CSV750 seulement.

D. Support de la sonde

E. Pied

Le pied se retire pour nettoyer la roue.

Le sens du débit d'eau peut également être ajusté jusqu'à 360 ° en tournant le pied.

F. Raccordement de la sonde de température

Pour le modèle CSV750 seulement.

G. Pince de fixation



## Assemblage

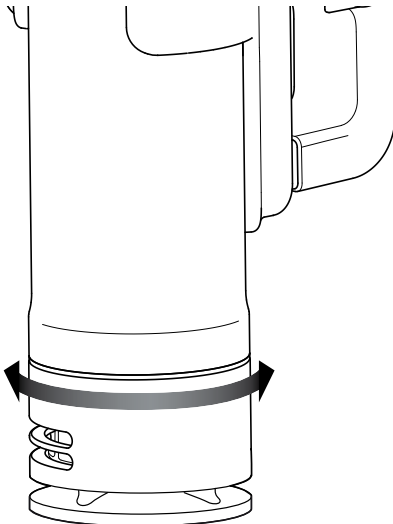
### RÉCIPIENT DE CUISSON APPROPRIÉ

Un circulateur à immersion peut être utilisé avec des contenants de différentes capacités et formes. Ces variables peuvent affecter négativement la précision et la stabilité des résultats. Par exemple, un récipient de grande surface perdra de la chaleur plus rapidement, empêchant le circulateur à immersion d'atteindre la température désirée. Le format maximal lequel l'unité a été validée est un récipient non isolé de 45 L avec couvercle sécurisé.

### AVANT LA PREMIÈRE UTILISATION

Votre circulateur à immersion est facile à configurer:

1. Assurez-vous que la roue à palettes et le pied sont en place.
2. Tournez le pied à la position désirée. Le pied du circulateur à immersion vous permet d'ajuster facilement le sens dans lequel l'eau de cuisson circule.



**AVERTISSEMENT** : Pour éviter tout risqué de brûlure et/ou de décharge électrique, ne modifiez pas la position du pied pendant que le circulateur est immergé dans un liquide. Par mesure de sécurité, éteignez l'appareil, débranchez-le et retirez-le du récipient. Laissez le boîtier refroidir à la température ambiante avant de procéder aux réglages.

3. Remplir le récipient d'eau.

Ce circulateur à immersion a une capacité de 45 litres de liquide à une température stable dans un récipient couvert et non isolé.

Le niveau du volume de liquide dans le récipient doit être maintenu entre les lignes MAX et MIN indiquées sur le boîtier de l'appareil.



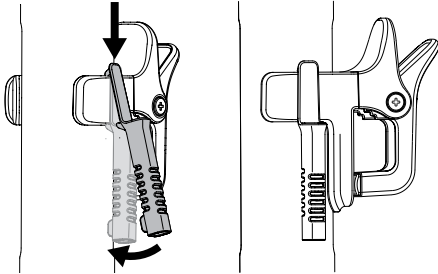
### IMPORTANT

- Le niveau d'eau dans le récipient de cuisson augmentera à mesure que les aliments sont ajoutés. Assurez-vous de tenir compte de cet élément lorsque vous verserez le liquide dans le récipient. Notez que le niveau d'eau peut également baisser pendant la cuisson en raison de l'évaporation.
4. Fixez le circulateur à immersion au récipient de cuisson. La pince de montage fournie avec l'appareil assemblera solidement à un récipient plat et arrondi. Elle peut aussi être utilisée pour faire pivoter l'appareil, de sorte que l'écran soit orienté dans la direction souhaitée.



## NOTE

Lorsque vous utilisez le support de la sonde (disponible avec le modèle CSV750 seulement), vous pouvez le fixer directement sur la pince en suivant les instructions ci-dessous.



5. Branchez le cordon d'alimentation dans une prise électrique correctement reliée à la terre.

L'écran TFT s'allumera et affichera la page de bienvenue qui vous permettra de configurer vos paramètres comme suit :

- **Language / Langue**
- **Time / Temps** (disponible pour le modèle CSV750 seulement)
- **Date** (disponible pour le modèle CSV750 seulement)
- **Temperature Units / Unités de température**
- **Measurement Units / Unités de mesure**
- **Datga Logging Set Up / Configuration de l'enregistrement des données** - pour les données de cuisson HACCP (réglage disponible pour le modèle CSV750 seulement).

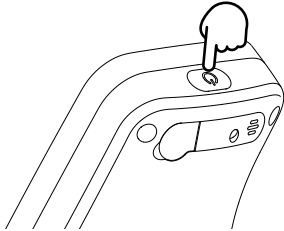
Vous êtes maintenant prêt à cuisiner avec votre circulateur à immersion.



## Fonctions

### ALLUMER L'APPAREIL

1. Appuyez sur le bouton d'alimentation (sur le dessus du circulateur à immersion).



2. Le circulateur à immersion vous donne la possibilité de choisir entre 4 modes.

- a) Boîte à outils Sous Vide (Sous Vide Toolbox™)
- b) Cuisson manuelle (Manual Cooking)
- c) Mes pré-réglages (My Presets)
- d) Réglages (Settings)



### BOÎTE À OUTILS SOUS VIDE (Sous Vide Toolbox™)

Le mode Sous Vide Toolbox™ vous guidera vers une expérience de cuisson sous vide sécuritaire pour les aliments. Il vous aidera à déterminer le temps de cuisson sous vide et de réchauffage optimal pour une variété d'aliments.

Les caractéristiques de conductivité thermique (transfert de chaleur) des protéines sont différentes pour chaque type d'aliment.

La boîte à outils Sous Vide Toolbox™ utilise les entrées guidées pour calculer le temps nécessaire à une température, une épaisseur et une forme données pour que l'aliment atteigne une température interne et un temps supplémentaire pour différents niveaux de pasteurisation.

Cela vous évite de déterminer à l'aveuglette le temps de cuisson optimal pour une température donnée. Il indique également le temps requis pour atteindre le niveau sélectionné de réduction des agents pathogènes, et si votre choix de température et de temps est considéré comme sécuritaire. Sous ce mode, vous pourrez sélectionner :

1. **Le type d'aliment (Food type)** : bœuf, volaille, porc, agneau, œufs, poisson, fruits de mer, foie gras, légumes, fruits, crème pâtissière, légumineuses, lentilles et yogourt (Beef, Poultry, Pork, Lamb, Eggs, Fish, Shellfish, Foie Gras, Vegetable, Fruit, Custard, Legumes, Lentils and Yoghurt).



2. **Le type de coupe (Cut Type)** : différencie entre 'coupe tendre' et 'coupe coriace' (en fonction du type d'aliment sélectionné).
3. **La forme de l'aliment (Food Shape)** : la forme diffère selon le type d'aliment sélectionné. Par exemple, si beef (bœuf) est sélectionné, le choix de formes sera comme suit : steak, médaillon, côtes levées avec os, carrés de haut-de-côtes, cylindre, sphère, cubes (steak, medallion, rib rack with bones, short rib squares, cylinder, sphere, cube).
4. **L'épaisseur (Thickness)** : entre 5 mm et 127 mm (3/16 po et 3 po)
5. **La température initiale (Initial Temperature)** : aliment frais\* ou congelé

\* « Frais » caractérise un aliment qui se conserve au réfrigérateur à 41°F.

6. **La température interne finale désirée (Desired Final Core temperature) :** la température finale varie en fonction du type d'aliment .
7. **Le niveau de pasteurisation (Pasteurization Level) :** le temps requis pour atteindre la température interne, le temps supplémentaire pour pasteuriser la surface et le centre.
8. **Le temps de tendreté supplémentaire (Additional tenderness time) :** disponible seulement pour les types de coupes coriaces; la durée varie en fonction du type d'aliment sélectionné. Le temps de tendreté correspond au temps supplémentaire nécessaire pour une coupe plus coriace, telle que jarret, épaule, poitrine et haut de côtes, à sattendrir.



L'écran Résumé (Summary) affiche la température et le temps recommandés en fonction des paramètres entrés.



#### NOTE

Une alerte vous indiquera que l'aliment n'atteindra pas le niveau de pasteurisation recommandé dans le délai calculé.

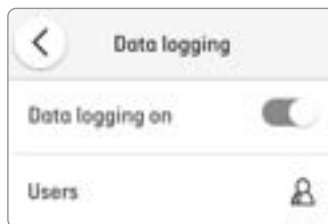
L'option de cuisson rapide (Fast Cook) vous permettra de réduire le temps de cuisson en augmentant la température de l'eau de +4°F (+2°C).

Si l'aliment doit être immédiatement refroidi à la fin du processus de cuisson dans le but d'être conservé, sélectionnez l'option «Ice Bath» (Bain de glace) sur la page de Résumé. Le temps nécessaire pour que l'aliment revienne à 5°C (41°F) sera calculé et affiché une fois la cuisson terminée.

### ENREGISTREMENT DES DONNÉES (disponible pour le modèle CSV750 seulement)

Le modèle CSV750 crée un journal de cuisson compatible HACCP qui utilise la lecture de température de la sonde. Les journaux de cuisson peuvent ensuite être convertis en un fichier PDF conforme aux directives HACCP.

1. Pour entamer l'enregistrement des données, activez le bouton «Data logging» dans les réglages de l'appareil.



2. Connectez votre sonde et insérez-la correctement dans le sac à l'aide d'un ruban de mousse haute densité. Voir la section «Aide» pour plus d'informations sur l'utilisation de la sonde.
3. Commencez le journal que vous souhaitez enregistrer.
4. Appuyez sur le bouton «Data Log» (Journal des données) et remplissez les informations que vous souhaitez associer au journal de cuisson.



5. L'appareil va maintenant stocker une lecture de la sonde toutes les 10 minutes.
6. Une fois que vous aurez terminé, appuyez sur le bouton «Data Log» (Journal des données) et sélectionnez «Stop log» (Journal terminé).
7. Pour récupérer vos journaux de cuisson avec votre téléphone portable, téléchargez l'application gratuite «Breville | Commercial HACCP Manager» dans Google Play ou App Store de Apple.
8. Remplissez les informations concernant votre établissement et tous autres détails pertinents.
9. Sélectionnez les journaux que vous désirez exporter et envoyez-les à votre adresse électronique.

**APPLICATION «BREVILLE | COMMERCIAL HACCP MANAGER»**  
(disponible pour le modèle CSV750 seulement)

Associez et synchronisez tous vos Journaux du CSV750 à votre téléphone portable et créez facilement des Journaux de cuisson compatibles HACCP. Envoyez par courriel les Journaux de cuisson directement à votre

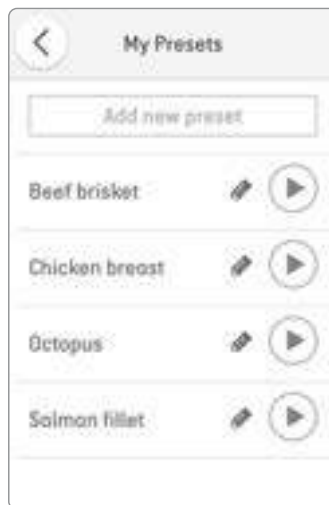
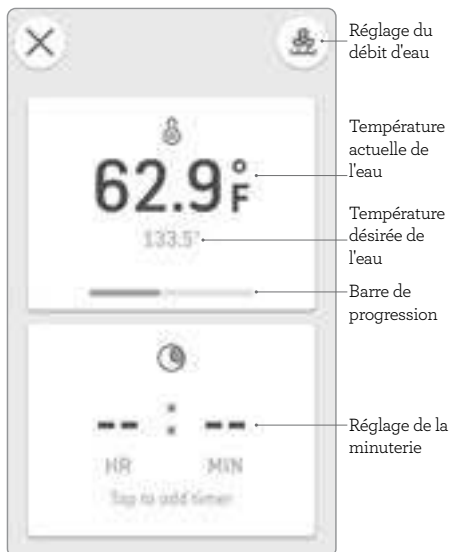
inspecteur de la santé ou gardez-les dans vos propres dossiers. Triez et filtrez les Journaux par appareil, par établissement, par période de temps ou par mot clé.

Pour récupérer vos Journaux de cuisson avec votre téléphone portable, téléchargez l'application gratuite «Breville | Commercial HACCP Manager» dans Google Play ou App Store de Apple.

**CUISSON MANUELLE**

Le mode de cuisson manuelle vous permet de configurer le temps, la température et le débit d'eau souhaités pour l'aliment que vous cuisinez. Ce mode vous permet également de définir des alarmes de sonde avec des minuteries d'attente.

1. Sélectionnez Manual Cooking dans le menu principal.
2. Entrez la température de l'eau désirée jusqu'à un maximum de 90 °C (194 °F).
3. Lorsque la température désirée aura été confirmée, le circulateur à immersion commencera un cycle d'amorçage. Le cycle d'amorçage est un programme de 40 secondes qui élimine l'air emprisonné dans la cavité thermique pour assurer une lecture précise de la température.
4. En appuyant sur la zone de minuterie de l'écran, vous pouvez entrer le temps de cuisson désiré jusqu'à 99 heures, ce qui déclenchera le compte à rebours jusqu'à une alarme, ou la minuterie de compte progressif. Le circulateur à immersion vous permet d'entrer jusqu'à 3 minuteries différentes.
5. Le mode de cuisson manuelle vous permet d'ajuster le débit d'eau souhaité en sélectionnant l'icône dans le coin supérieur droit. Vous pouvez sélectionner un débit rapide, moyen ou lent. Dans de nombreux cas, nous recommandons de maintenir le débit de la pompe à la vitesse maximale. Si vous cuisinez des aliments délicats, tels que des œufs (qui se déplacent facilement), vous voudrez peut-être réduire le débit.



## MES PRÉRÉGLAGES

Le mode Mes préréglages (My Presets) vous permet d'enregistrer les températures et temps d'utilisation habituels de l'appareil.

1. Sélectionnez «My Presets» dans le menu principal
2. Sélectionnez «New Preset» (Nouveau préréglage)
3. Entrez les données dans les différents paramètres :
  - **Nom du préréglage**
  - **Température de l'eau**
  - **Minuterie**
  - **Alarme de la sonde** (réglage disponible avec le modèle CSV750 seulement)
  - **Vitesse du débit d'eau**
4. Sélectionnez «Save» pour sauvegarder les préréglages désirés. Le réglage «Save» apparaîtra sur le menu «My Presets» où vous pourrez les utiliser, les modifier ou les supprimer.

## RÉGLAGES

Le mode Réglages vous permet de configurer différents paramètres de l'appareil, tels que :

1. Enregistrement des données (Data Logging) (réglage disponible pour le modèle CSV750 seulement) : pour plus d'informations sur le réglage Data Logging, voir page 28.
2. Étalonnage de la sonde (Probe Calibration) (réglage disponible pour le modèle CSV750 seulement) : la sonde est étalonnée en usine. Toutefois, pour éviter toute dérive dans le temps, veuillez effectuer un étalonnage annuel. Le cycle d'étalonnage guidé peut durer jusqu'à 30 minutes et vous permet d'ajouter un rappel annuel.
3. Configuration de la date et de l'heure.
4. Configuration du son et de l'affichage.
5. Unités de température et de mesure.
6. Section Aide : cette section vous fournit plus d'informations sur l'utilisation de la sonde, le nettoyage de l'appareil et le changement du sens du débit d'eau.
7. Configuration de la langue.
8. Réinitialisation des réglages d'usine.



## PANNE DE COURANT

Si l'alimentation électrique est interrompue en cours d'utilisation, votre circulateur à immersion recommencera à fonctionner automatiquement dès que le courant sera rétabli. L'écran affichera l'heure à laquelle l'alimentation a été coupée, la durée pendant laquelle l'électricité a été interrompue et la température à laquelle l'appareil a redémarré à la température prééglée (pour le modèle CSV700, l'écran affichera uniquement la température). Utilisez cette information pour déterminer si l'aliment qui cuit est sécuritaire. Si des doutes persistent, nous vous recommandons de jeter l'aliment cuit.



## Nettoyage et rangement

Nettoyez et séchez complètement votre circulateur à immersion avant de le ranger. Veuillez le mettre à l'écart de tout équipement ou autres objets qui pourraient endommager l'écran numérique.

### NETTOYAGE HABITUEL

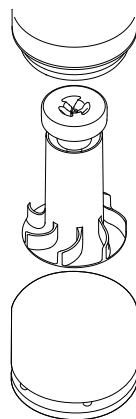
Éteignez le circulateur à immersion en appuyant sur le bouton d'alimentation, puis débranchez-le de la prise électrique.



### AVERTISSEMENT

Pour éviter tout risque de brûlure, laissez le circulateur à immersion refroidir à la température ambiante avant de le retirer du récipient de cuisson.

1. Démontez l'appareil en retirant le pied et la roue à palettes. La petite douille en plastique dans le pied n'est pas amovible. Le fait de retirer ou d'endommager cette pièce risque d'endommager l'appareil.
2. Utilisez de l'eau savonneuse pour nettoyer les pièces. Une brosse peut être utilisée pour nettoyer délicatement l'intérieur de l'appareil. Le boîtier peut être nettoyé avec un chiffon propre et humide ou une éponge. N'utilisez pas de nettoyeurs abrasifs qui pourraient égratigner le boîtier ou l'écran tactile.
3. Utilisez un chiffon propre pour sécher l'appareil. Pour le réassembler, placez le pied sur une surface ferme et alignez la roue pour la stabiliser dans le pied. Placez le circulateur à immersion sur le dessus de la roue en glissant le bras vers le pied. Alignez et appliquez une force ferme vers le bas jusqu'à ce que le pied s'enclenche.



Si les composants immergés de l'appareil sont recouverts de graisse ou autres résidus en raison d'une fuite ou d'une rupture du sac de cuisson, faites fonctionner l'appareil dans de l'eau propre contenant une petite quantité de détergent pour lave-vaisselle non moussant pendant environ 10 minutes à 60 °C (140 °F). Après quoi, rincez et séchez soigneusement.



### **AVERTISSEMENT**

Ne plongez jamais les commandes ou l'écran du circulateur à immersion dans l'eau ou tout autre liquide, ni sous l'eau courante. Ne nettoyez pas l'appareil au lave-vaisselle, sauf la roue et le pied qui y sont compatibles.

### **DÉTARTRAGE DE L'APPAREIL**

Pour détartrer l'appareil, versez une solution de nettoyage contenant une égale quantité d'eau et de vinaigre dans l'eau du récipient.

Sécurisez l'appareil dans l'eau et sélectionnez le cycle de détartrage («Descale Cycle») dans la section Aide du menu de Réglages («Settings»).



### **AVERTISSEMENT**

Ne pas détartrer avec autre chose que du vinaigre

### **ENLEVER LES RÉSIDUS ALIMENTAIRES**

ÉTEIGNEZ le circulateur à immersion et débranchez-le de la prise électrique.



### **AVERTISSEMENT**

Pour éviter tout risque de brûlure, laissez l'appareil refroidir à la température ambiante avant de le retirer du récipient de cuisson.

Dans le cas peu probable où des aliments ou autres résidus alimentaires se logeraient dans la roue de la pompe, retirez le pied et la roue de l'appareil et lavez-les soigneusement pour éliminer les corps étrangers.

Utilisez une brosse douce pour dégager les particules déposées. Si nécessaire, faites tremper ces pièces dans de l'eau propre avant de les brosser. NE PAS utiliser d'ustensiles durs ou de tampons abrasifs pour éliminer les résidus alimentaires.



### **AVERTISSEMENT**

Ne jamais faire fonctionner le circulateur à immersion sans que le pied soit en place.



# Guide de dépannage

## PROBLÈME POSSIBLE

## SOLUTION FACILE

L'écran d'erreur affiche «Low Water Level»	<ul style="list-style-type: none"><li>Assurez-vous que le niveau d'eau est au-dessus de la ligne MIN.</li></ul>
L'écran d'erreur affiche «No Water Detected»	<ul style="list-style-type: none"><li>Assurez-vous que la roue et le pied sont insérés correctement et que le niveau d'eau est au-dessus de la ligne MIN.</li></ul>
L'écran d'erreur affiche «Tilt Alert»	<ul style="list-style-type: none"><li>Assurez-vous que la pince est installée correctement et que l'appareil est monté verticalement.</li></ul>
L'écran d'erreur affiche «Move Detected»	<ul style="list-style-type: none"><li>Assurez-vous que l'appareil est bien fixé dans la pince et que la pince est installée correctement sur le récipient de cuisson.</li></ul>
L'écran d'erreur affiche «Impeller Overload»	<ul style="list-style-type: none"><li>Retirez le pied et la roue à palettes, en éliminant tout corps étranger du tube chauffant, de la roue et du pied. Inspectez le pied et la roue à palettes pour tout dommage.</li></ul>
L'écran d'erreur affiche «Unit unplugged mid-cook...»	<ul style="list-style-type: none"><li>L'appareil retournera à la température initiale. Déterminez si les aliments peuvent toujours être consommés sans danger.</li></ul>
L'écran d'erreur affiche «Fault detected» <u>à plusieurs reprises</u>	<ul style="list-style-type: none"><li>Rapportez l'appareil dans un centre de service de votre région.</li></ul>
L'écran d'erreur affiche «High Temperature Detected»	<ul style="list-style-type: none"><li>Assurez-vous que le débit d'eau sous l'appareil n'est pas obstrué et que le niveau d'eau se situe au-dessus de la ligne MIN, mais sous la ligne MAX, et que toute accumulation de résidus alimentaires a été supprimée. <b>Ne jamais envelopper l'écran tactile de l'appareil.</b></li></ul>
Mon appareil ne chauffe pas	<ul style="list-style-type: none"><li>L'appareil effectue toujours un cycle d'amorçage de 40 secondes avant de chauffer. Attendez que le cycle d'amorçage soit terminé avant que l'appareil chauffe.</li></ul>
Mon appareil n'atteint pas la température	<ul style="list-style-type: none"><li>L'appareil a été testé pour pouvoir chauffer jusqu'à 90 °C (194 °F) un récipient de 45 L avec couvercle sécurisé. Si vous utilisez du papier aluminium ou un revêtement similaire, <b>ne jamais recouvrir l'écran tactile de l'appareil.</b></li></ul>
La température de mon appareil fluctue rapidement	<ul style="list-style-type: none"><li>Assurez-vous que le débit d'eau sous l'appareil ne soit pas obstrué et que le niveau d'eau est au-dessus de la ligne d'eau MIN mais en dessous de la ligne d'eau MAX.</li></ul>
L'appareil émet un bourdonnement ou un bruit étrange	<ul style="list-style-type: none"><li>Retirez le pied et la roue à palettes, en éliminant tout corps étranger du tube chauffant, de la roue et du pied. Inspectez le pied et la roue à palettes pour tout dommage.</li></ul>
Mes sacs sont aspirés par la prise d'eau	<ul style="list-style-type: none"><li>Fixez les sacs au récipient à l'aide de pinces à dessin</li></ul>

# Breville® | Commercial

Breville, the Breville logo and HydroPro are trademarks of Breville Pty, Ltd. ("Breville") and Breville's products are distributed in the USA and Canada under license. Due to continued product improvement, the products illustrated/photographed in this booklet may vary slightly from the actual product. Copyright Breville Pty. Ltd. 2022.

Breville, le logo Breville et HydroPro sont des marques déposées de Breville Pty Ltd ("Breville") et les produits Breville sont distribués aux États-Unis et au Canada sous licence. En raison des améliorations constantes apportées aux produits Breville, le produit illustré dans ce manuel d'instructions peut varier légèrement du produit réel. Droits d'auteur Breville Pty. Ltd. 2022.

CSV700/750 A22