

Blixer® 10



11.5 L



A SALES FEATURES

Blixer 10 is designed to prepare texture-modified meals with either raw and cooked ingredients in a minimum of time.

B TECHNICAL FEATURES

Blixer 10. 3-phase. Power 4.5 HP. 2 speeds. Pulse function. 11.5 L stainless-steel bowl with 2 handles. Bowl-base blade assembly with 3 detachable fine serrated blades included. Scraper arm and lid wiper included. 10 to 33 portions (7 oz.) and more.

Select your options at the back page, **F** part.

C TECHNICAL DATA

Output power	4.5 HP
Electrical data	208-240V/60/3 - 11.8 Amp
Speeds	1800 and 3600 rpm
Dimensions (WxDxH)	12 7/16" x 21 1/2" x 26 3/4" - Cube: 10.74
Rate of recyclability	95%
Net weight	117 lbs
Nema #	L15-20P
Reference	BLIXER 10 - 208-240V/60/3

D Number of 7 oz. portions :	10 to 33 portions
Quantity processed per operation	4 to 14 lbs

E PRODUCT FEATURES / BENEFITS

MOTOR BASE

- **Direct drive induction motor (no belt)** for intensive use.
- Power 4.5 HP.
- Stainless steel motor shaft.
- Flat, easy-clean motor base.
- IP65 control panel with flush buttons.
- Magnetic safety and motor brake.
- **2 speeds : 1800 and 3600 rpm**
- Pulse function for a better cut precision.

CUTTER FUNCTION

- 11.5 L stainless-steel bowl with 2 handles for a better grip.
- Central bowl locking system for easy assembly.
- Bowl-base blade assembly with 3 fine serrated blades to ensure a perfectly uniform consistency, even when processing small quantity.
- Transparent lid to enable user to monitor processing.
- Opening in centre of lid for adding liquid or dry ingredients during processing.
- **Transparent lid with bowl scraper** to improve the end-product consistency and **with a lid wiper** to enable user to monitor processing.
- **Opening in center of lid** for adding liquid or dry ingredients during processing.

INCLUDED ACCESSORIES

- Stainless steel fine serrated blade assembly (3 blades)
- Scraper arm and lid wiper

STANDARDS

ETL electrical and sanitation Listed/ cETL (Canada)



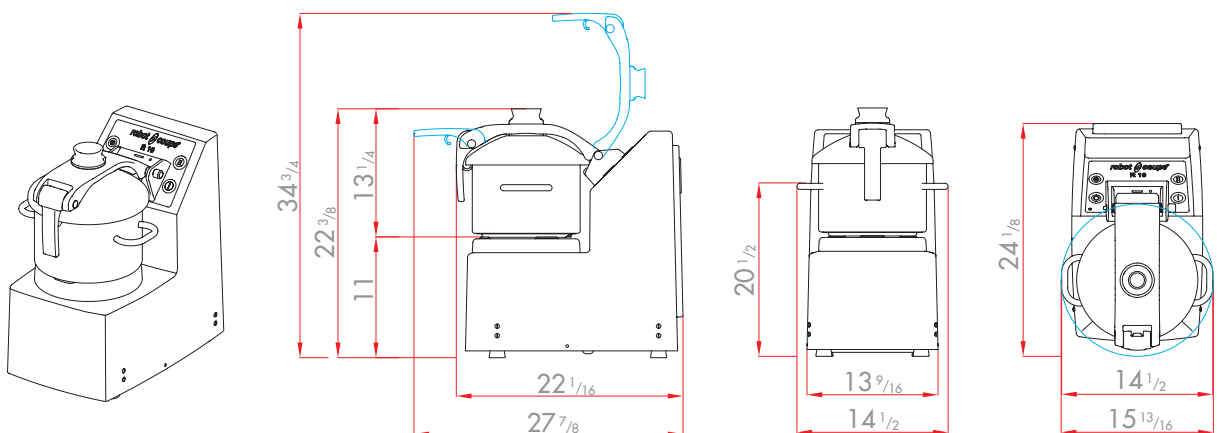
Blixer® 10

F **OPTIONAL ATTACHMENTS**

- 3 Blade Fine Serrated Edge Stainless Steel Adjustable Blade Assembly - Ref. 27378
- Lid Assembly with seal - Ref. 59319
- Complete Bowl Assembly - Ref. 59265

G **ELECTRICAL DATA**

208-240V/60/3 – delivered with cord and plug.



Blixer® 10