



Project _____
 AIA # _____ SIS # _____
 Item # _____ Quantity _____ C.S.I. Section 114000

KEL SERIES

Electric Floor Mounted Stationary
 2/3 Jacketed Kettles



Model K40EL



ANSI/NSF Standard #4



SPECIFIER STATEMENT

Electric self-contained, stainless steel, 2/3 jacketed floor mounted stationary steam kettle. Ellipsoidal bottom kettle liner formed and fully welded type 316 and type 304 stainless steel exterior with (1/4 x 5/8 inch 20 gallons) (3/8 x 1 inch 40 gallons and greater) bar rim, embossed gallon/liter markings and faucet bracket. 50 psi (3.4 kg/cm²) steam jacket rating. Spring assist hinged stainless steel cover with condensate ring and drop down lift handle with heavy duty pivot assembly that includes a yolk style mount with tie bar. Two inch compression tangent draw-off valve with perforated strainer. Tubular stainless steel legs with flanged feet. Stainless steel enclosure for “water resistant” controls. Controls include a power switch, power “on” light, solid state temperature control, vacuum/pressure gauge, pressure relief valve, low water light and low water shut-off.

UL listed. UL Classified for sanitation in accordance with ANSI/NSF Standard #4. Meets ASME code.

MODELS

- K20EL** 12 KW, 20 gallon true working capacity
- K40EL** 18 KW, 40 gallon true working capacity
- K60EL** 18 KW, 60 gallon true working capacity

STANDARD FEATURES

- Electric self-contained, stainless steel, 2/3 jacketed floor mounted stationary steam kettle
- Ellipsoidal bottom kettle liner formed and fully welded standard type 316 and type 304 stainless steel exterior
- Heavy bar rim (1/4 x 5/8 inch 20 gallons) (3/8 x 1 inch 40 gallons and greater)
- Embossed gallon/liter markings
- Faucet bracket
- 50 psi (3.4 kg/cm²) steam jacket rating
- Spring assist hinged stainless steel cover with condensate ring and drop down lift handle with heavy duty pivot assembly that includes a yolk style mount with tie bar
- Two inch compression tangent draw-off valve with perforated strainer
- Tubular stainless steel legs with flanged feet
- Stainless steel enclosure for “water resistant” controls
- Controls include a power switch, power “on” light, solid state temperature control, vacuum/pressure gauge, pressure relief valve, low water light and low water shut-off
- One year limited parts and labor warranty

OPTIONS

- Two inch plug tangent draw-off valve with perforated strainer
- Three inch compression tangent draw-off valve with perforated strainer
- Security facility package:
 - a. Security type fasteners with tack welds
 - b. Stainless steel step over draw-off valve with chain
- 480 volt, 60 Hz, 3 phase power supply
- Second year extended limited parts and labor warranty

ACCESSORIES (PACKAGED AND SOLD SEPARATELY)

- Clean-up kit, includes draw-off brush, clean-up brush and paddle scrapper with 40" handle
- Stainless steel 48" whip
- Non-perforated strainer
- (12") (18" double jointed) single pantry lead-free faucet
- (12") (18" double jointed) double pantry lead-free faucet
- Double pantry washdown hose with 16" add-on lead-free faucet with vacuum breaker
- Double pantry washdown hose with lead-free vacuum breaker
- Double pantry pot filler with lead-free vacuum breaker

KEL SERIES – Electric Floor Mounted Stationary 2/3 Jacketed Kettles

Approved by _____ Date _____ Approved by _____ Date _____

SERVICE CONNECTIONS

Electrical Connection: Single point supply 1½" (29 mm) dia. (¾" conduit).

Water Connection: Only for faucet accessory.

TRUE WORKING CAPACITIES (IN 4 OZ. SERVINGS)

80 quarts/20 gallons/76 liters/640 servings
 120 quarts/40 gallons/152 liters/1,280 servings
 160 quarts/60 gallons/228 liters/1,920 servings

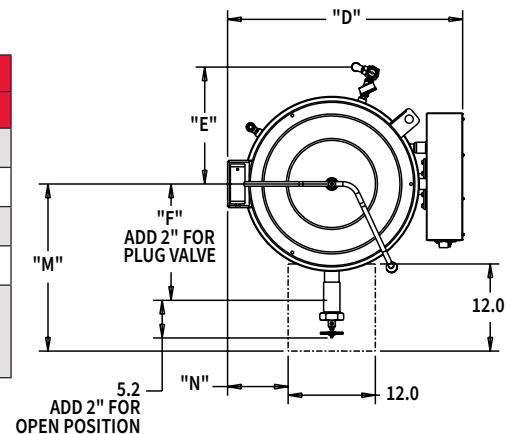
INSTALLATION MANUAL

NOTES

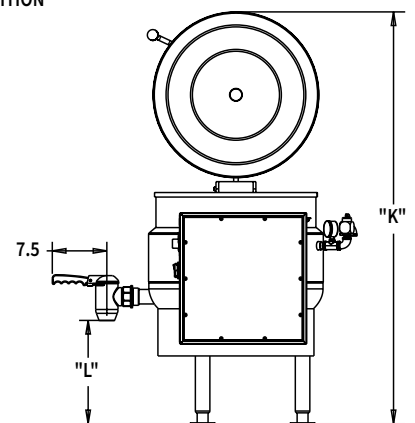
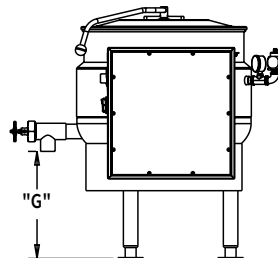
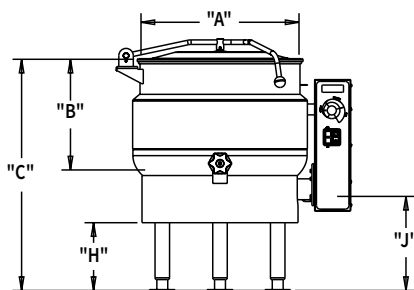
- Dimensions which locate the above connections have a tolerance of + or -3" (+ or -75 mm).
- Installation of backflow preventers, vacuum breakers and other specific code requirements is the responsibility of the owner and installer. It is the responsibility of the owner and installer to comply with local codes.
- This appliance is manufactured for commercial installation only and is not intended for home use.

| | Standard Device | Standard Device | Optional Device |
|-------|---|---|---|
| | Shipped for 208/50/60/3 electrical service. Can be field converted to 208/50/60/1 and 240/50/60/3 and 240/50/60/1 | Shipped for 208/50/60/3 electrical service. Can be field converted to 208/50/60/1 | Shipped for 240/50/60/3 electrical service. Can be field converted to 240/50/60/1 |
| K20EL | ✓ | N/A | N/A |
| K40EL | N/A | ✓ | ✓ |
| K60EL | N/A | ✓ | ✓ |

| Model | kW | PHASE | Amperage per Line | | | Minimum Circuit Ampacity | | |
|-------------------------|----|-------|-------------------|------|------|--------------------------|------|------|
| | | | 208V | 240V | 480V | 208V | 240V | 480V |
| K20EL | 12 | 1 | 57.7 | — | — | 75 | — | — |
| | | 3 | 33.3 | — | 14.4 | 45 | — | 20 |
| | 16 | 1 | — | 66.7 | — | — | 85 | — |
| | | 3 | — | 38.5 | — | — | 50 | — |
| Standard K40EL K60EL | 18 | 3 | 50.0 | 43.3 | 21.7 | 65 | 55 | 30 |



CAD and/or Revit Files Available



| Model | True Working Capacity | A | B | C | D | E | F | G | H | J | K | L | M | N |
|-------|-----------------------|------|------|-------|------|------|-------|------|------|------|------|------|------|------|
| K20EL | 20 gallons | 21.6 | 15.2 | 31.86 | 32.5 | 16 | 16 | 14.7 | 9.3 | 13.9 | 56.7 | 14.3 | 23 | 8.3 |
| | 76 liters | 549 | 386 | 810 | 826 | 406 | 406 | 374 | 236 | 353 | 1440 | 363 | 586 | 211 |
| K40EL | 40 gallons | 25.8 | 21.2 | 37.1 | 37.7 | 17.5 | 17.75 | 14 | 10.5 | 12.8 | 65.8 | 13.5 | 24.8 | 10.5 |
| | 152 liters | 656 | 538 | 942 | 958 | 445 | 451 | 356 | 267 | 325 | 1671 | 343 | 632 | 267 |
| K60EL | 60 gallons | 29.5 | 23.9 | 39.5 | 40.5 | 17 | 19.7 | 13.5 | 8 | 12.2 | 72.4 | 13 | 27.5 | 12.2 |
| | 227 liters | 749 | 607 | 1003 | 1029 | 432 | 500 | 343 | 203 | 310 | 1842 | 330 | 700 | 310 |

As continued product improvement is a policy of Vulcan, specifications are subject to change without notice.